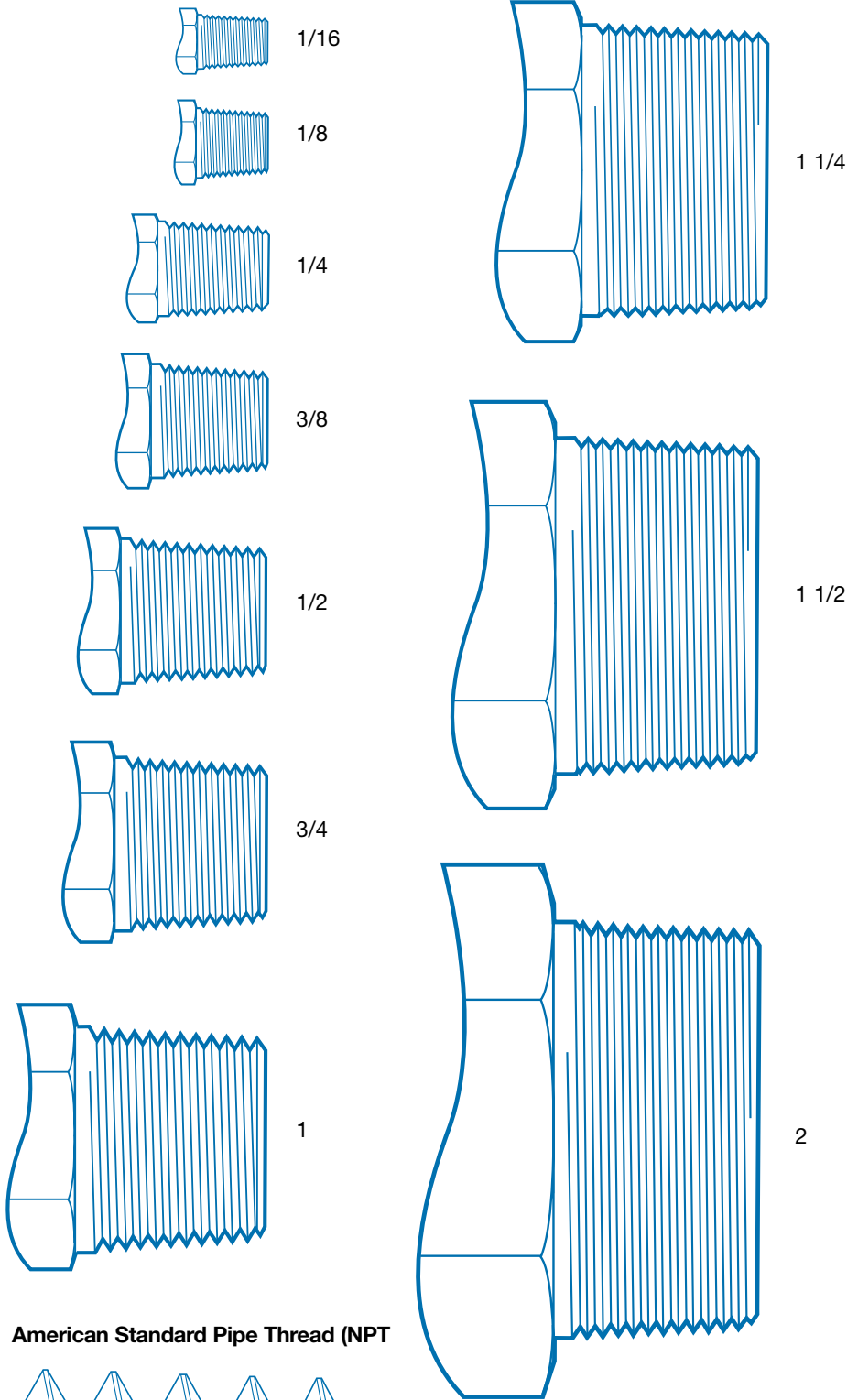
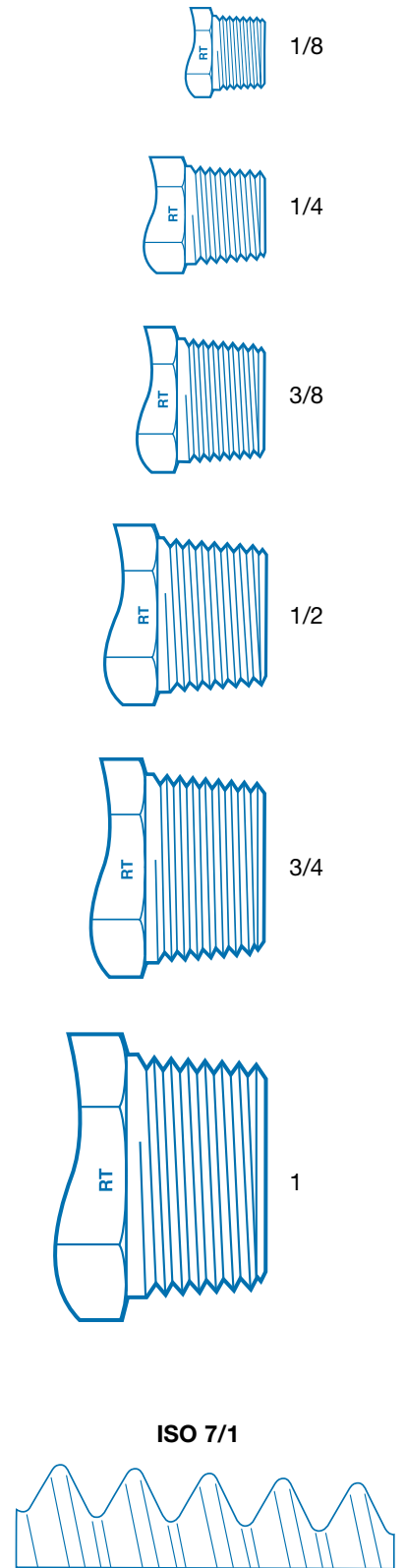


Pipe Sizes, Tapered Thread

NPT Thread



ISO Tapered Thread



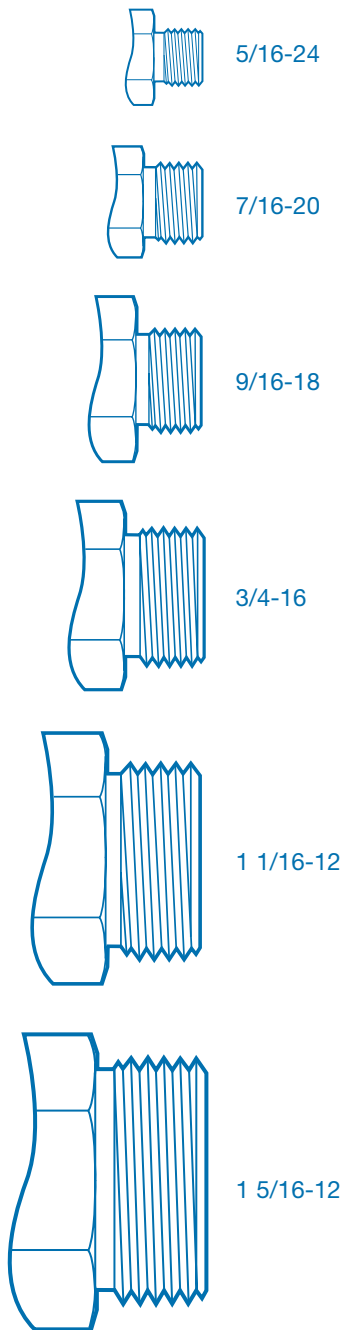
- Taper angle 1° 47'
- 60° thread angle
- Truncation of root and crest are flat

- Taper angle 1° 47'
- 55° thread angle
- Truncation of root and crest are round

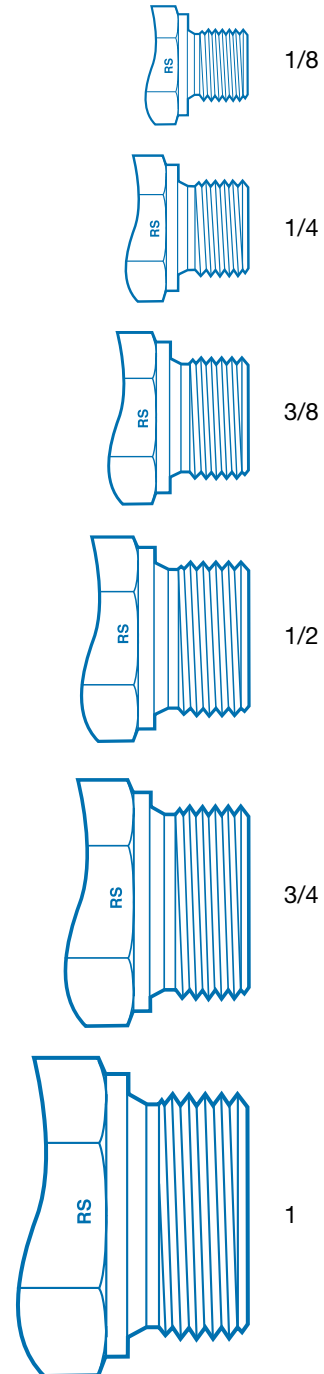
TUBE / PIPE SIZES

Pipe Sizes, Straight/Parallel Tread

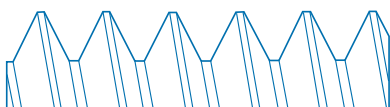
SAE/MS Straight Thread



ISO Parallel Thread

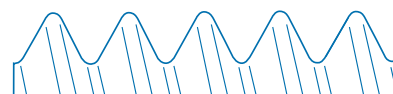


American Standard Unified Thread (Straight)



- 60° thread angle
- Truncation of root and crest are flat

ISO 228/1



- 55° thread angle
- Truncation of root and crest are round